



Magic Box are premium quality double skin, slim sided drawers with full extension undermount runners. They are available in three heights - 80mm, 120mm and 170mm in Dark Grey or Matt White finish. Standard drawers have soft close runners with push to open as an option. The load rating is 35kg.

Magic Box LED drawers are the **original** glass sided drawer with integral LED lighting which switches on automatically when the drawer is opened. Power is either by battery pack or transformer.

Everything you need is delivered in a single box. Installation and 6-way adjustment is quick and straightforward. Backs and bases are cut to size from any 16mm board with no further processing required.

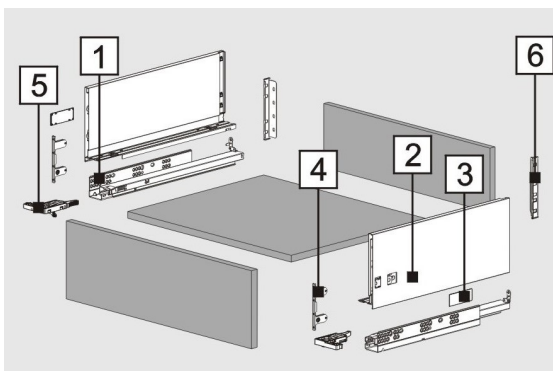
For complete peace of mind all Magic Box drawers are covered by our no-quibble lifetime warranty.



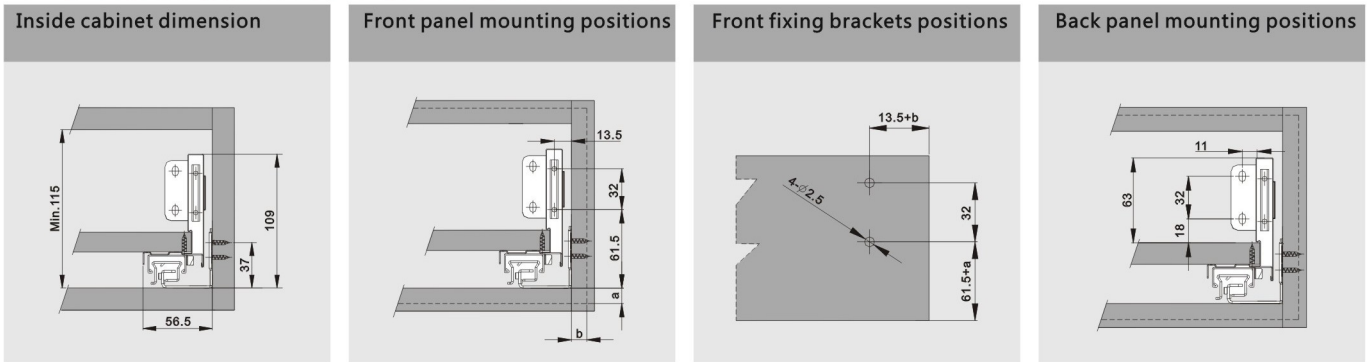
Magic Box		
H80		
Nominal length	Product Code	
	Standard	LED
H80		
270 mm	DBE1.270A.80	DBF1.270A1
300 mm	DBE1.300A.80	DBF1.300A1
350 mm	DBE1.350A.80	DBF1.350A1
400 mm	DBE1.400A.80	DBF1.400A1
450 mm	DBE1.450A.80	DBF1.450A1
500 mm	DBE1.500A.80	DBF1.500A1
550 mm	DBE1.550A.80	DBF1.550A1
H120		
270 mm	DBE1.270B.120	DBF1.270B1
300 mm	DBE1.300B.120	DBF1.300B1
350 mm	DBE1.350B.120	DBF1.350B1
400 mm	DBE1.400B.120	DBF1.400B1
450 mm	DBE1.450B.120	DBF1.450B1
500 mm	DBE1.500B.120	DBF1.500B1
550 mm	DBE1.550B.120	DBF1.550B1
H170		
270 mm	DBE3.270C.170	DBF1.270C1
300 mm	DBE3.300C.170	DBF1.300C1
350 mm	DBE3.350C.170	DBF1.350C1
400 mm	DBE3.400C.170	DBF1.400C1
450 mm	DBE3.450C.170	DBF1.450C1
500 mm	DBE3.500C.170	DBF1.500C1
550 mm	DBE3.550C.170	DBF1.550C1

IN THE BOX

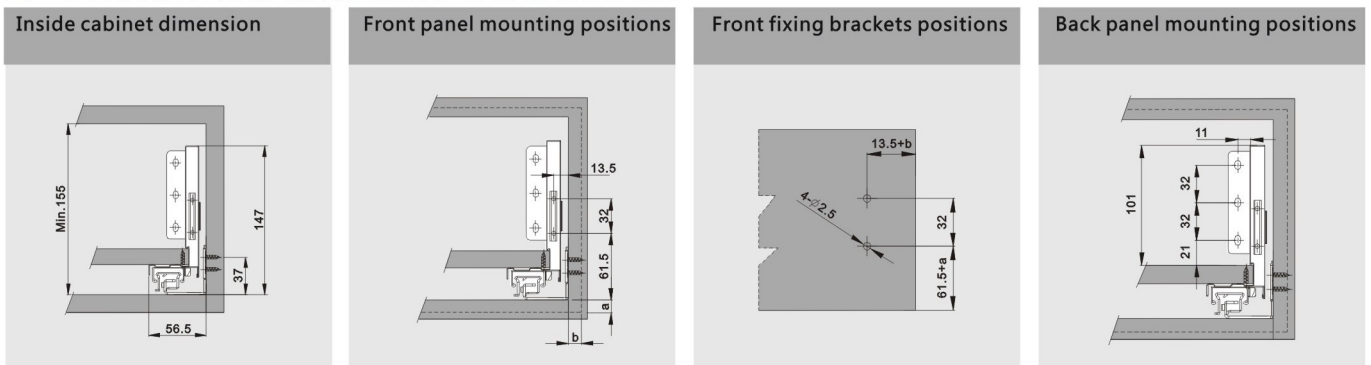
- 1 Undermount runners
- 2 Drawer sides
- 3 Cover panels
- 4 Front brackets
- 5 Adjustable clips
- 6 Back panel brackets



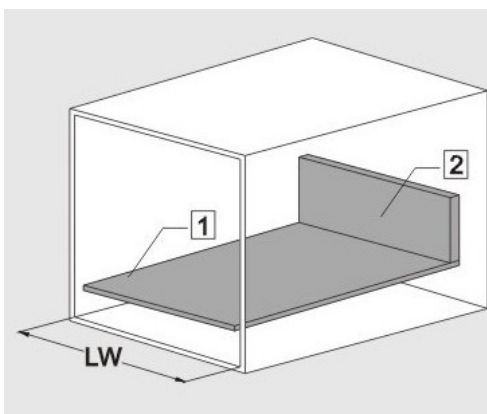
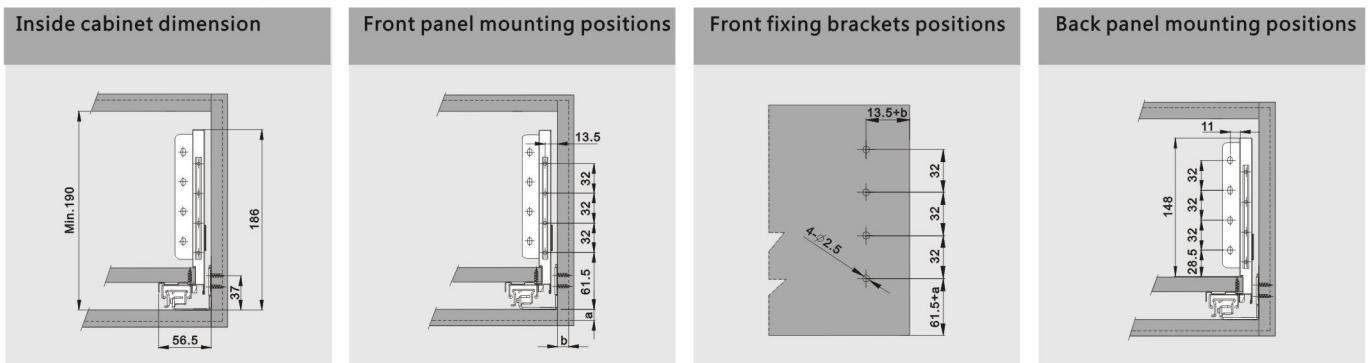
H=80mm Installation instruction



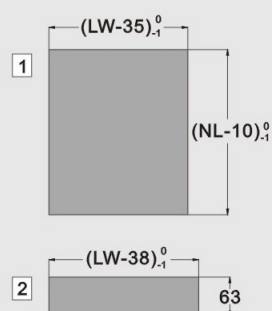
H=120mm Installation instruction



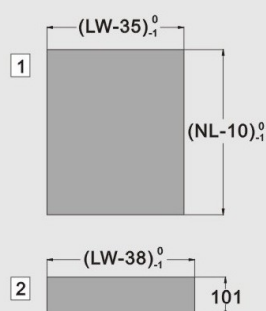
H=170mm Installation instruction



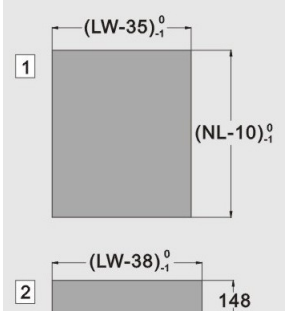
H80mm back and base



H120mm back and base



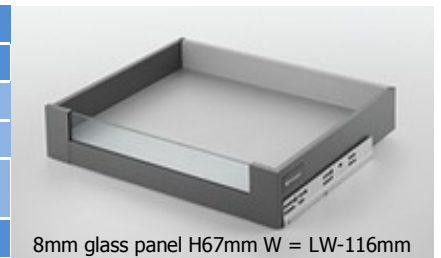
H170mm back and base



INNER MAGIC BOX

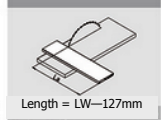


FOR H80 MAGIC BOX	PRODUCT CODE	
DARK GREY	WITHOUT GLASS	WITH GLASS
Plastic Bracket (pair)	DA6101E4.80.DG	
Front Cover (Pair)	DA6102E3.80.DG	
Aluminium Panel (1200mm long)	DA6103E3.120A.DG	DA6103E2.120A.DG
NOTE: TOUGHENED GLASS PANEL NOT INCLUDED		

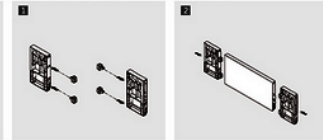


Cutting instruction

Cutting of aluminium front panel

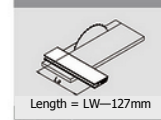


Installation instruction

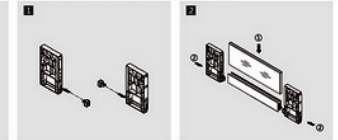


Cutting instruction

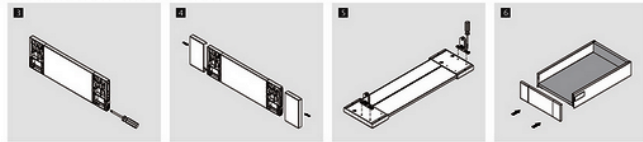
Cutting of glass holder



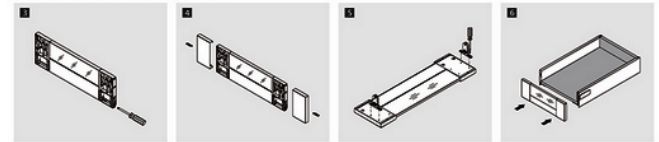
Installation instruction



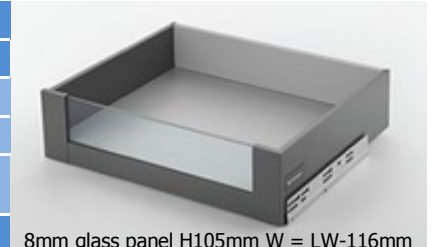
Installation instruction



Installation instruction



FOR H120 MAGIC BOX	PRODUCT CODE	
DARK GREY	WITHOUT GLASS	WITH GLASS
Plastic Bracket (pair)	DA6101E4.120.DG	
Front Cover (Pair)	DA6102E3.120.DG	
Aluminium Panel (1200mm long)	DA6103E3.120A.DG	DA6103E2.120A.DG
NOTE: TOUGHENED GLASS PANEL NOT INCLUDED		

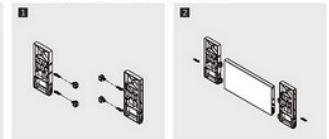


Cutting instruction

Cutting of aluminium front panel

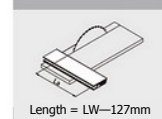


Installation instruction

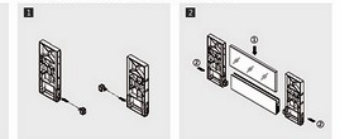


Cutting instruction

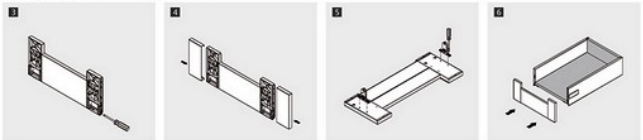
Cutting of glass holder



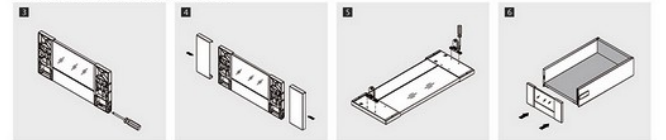
Installation instruction



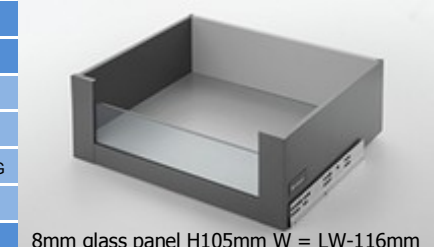
Installation instruction



Installation instruction



FOR H170 MAGIC BOX	PRODUCT CODE	
DARK GREY	WITHOUT GLASS	WITH GLASS
Plastic Bracket (pair)	DA6101E4.170.DG	
Front Cover (Pair)	DA6102E3.170.DG	
Aluminium Panel (1200mm)	DA6103E3.120A.DG	DA6103E2.120A.DG
Aluminium Rail (1200mm)	DA6104E2.120C.DG	N/A
NOTE: TOUGHENED GLASS PANEL NOT INCLUDED		



Cutting instruction

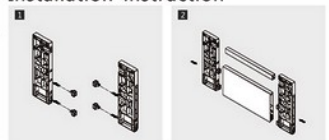
Cutting of aluminium front panel



Cutting of aluminium bar



Installation instruction

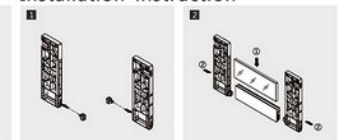


Cutting instruction

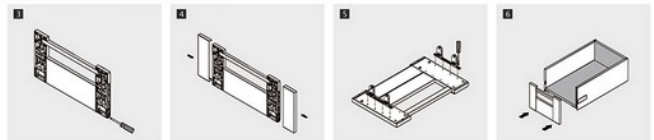
Cutting of glass holder



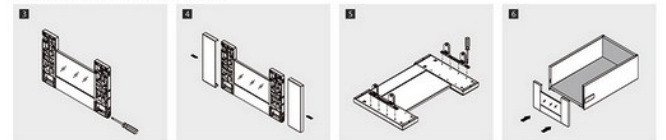
Installation instruction



Installation instruction



Installation instruction



LARDER TOWERS



Magic Box Larder Tower Packs are supplied as complete sets with all components except the drawer base and back panels and glass inserts. To achieve maximum drawer width zero protrusion hinges can be used or alternatively fitting suitable thin packing strips on the hinge side of the cabinet allows standard hinges to be used. The drawers are available with either plain aluminium fronts or aluminium and glass fronts as shown. Where the aluminium and glass option is chosen any 8mm thick clear, tinted, frosted or textured toughened glass can be used.

Up to four H170 drawers and one H80 drawer can be fitted within the overall maximum recommended height of 1,650mm from floor level to the base of the H80 drawer fitted to the top of the stack. For taller cabinets it is recommended that a shelf is fitted at a suitable height above the top drawer. To maximise space the bottom drawer should be fitted so that the runners rest on the base of the cabinet. Other drawers are spaced to accommodate items of different heights and to allow optimal spacing of the hinges.

Magic Box larder towers with aluminium fronts - contents of complete set

Drawer Depth	450				500				550			
	300	400	500	600	300	400	500	600	300	400	500	600
DBE1.450A.80.DG or DBRE1.450A.80.DG	1	1	1	1								
DBE3.450C.170.DG or DBRE3.450C.170.DG	4	4	4	4								
DBE1.500A.80.DG or DBRE1.500A.80.DG					1	1	1	1				
DBE3.500C.170.DG or DBRE3.500C.170.DG					4	4	4	4				
DBE1.550A.80.DG or DBRE1.550A.80.DG									1	1	1	1
DBE3.550C.170.DG or DBRE3.550C.170.DG									4	4	4	4
DA6101E4.80.DG (brackets)	1	1	1	1	1	1	1	1	1	1	1	1
DA6102E3.80.DG (covers)	1	1	1	1	1	1	1	1	1	1	1	1
DA6101E4.170.DG (brackets)	4	4	4	4	4	4	4	4	4	4	4	4
DA6102E3.170.DG (covers)	4	4	4	4	4	4	4	4	4	4	4	4
DA6103E3.120A.DG (front panel)	1	2	2	3	1	2	2	3	1	2	2	3
DA6104E2.120C.DG (front rail)	1	2	3	3	1	2	3	3	1	2	3	3

Magic Box larder towers for glass fronts - front panel and rail replaced by

Drawer Depth	450				500				550			
	300	400	500	600	300	400	500	600	300	400	500	600
DA6103E2.120A.DG (front panel)	1	2	2	3	1	2	2	3	1	2	2	3

Order Codes	DBE-A450.(W)*	DBE-A500.(W)*	DBE-A550.(W)*
	DBRE-A450.(W)*	DBRE-A500.(W)*	DBRE-A550.(W)*
	DBE-G450.(W)*	DBE-G500.(W)*	DBE-G550.(W)*
	DBRE-G450.(W)*	DBRE-G500.(W)*	DBRE-G550.(W)*

* (W) = Cabinet Width

Aluminium fronts (SC)
 Aluminium fronts (PTO)
 Glass fronts (SC)
 Glass fronts (PTO)