

Superslim COBOX

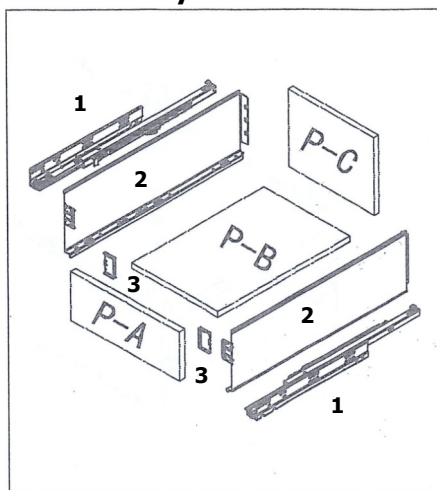


Superslim COBOX

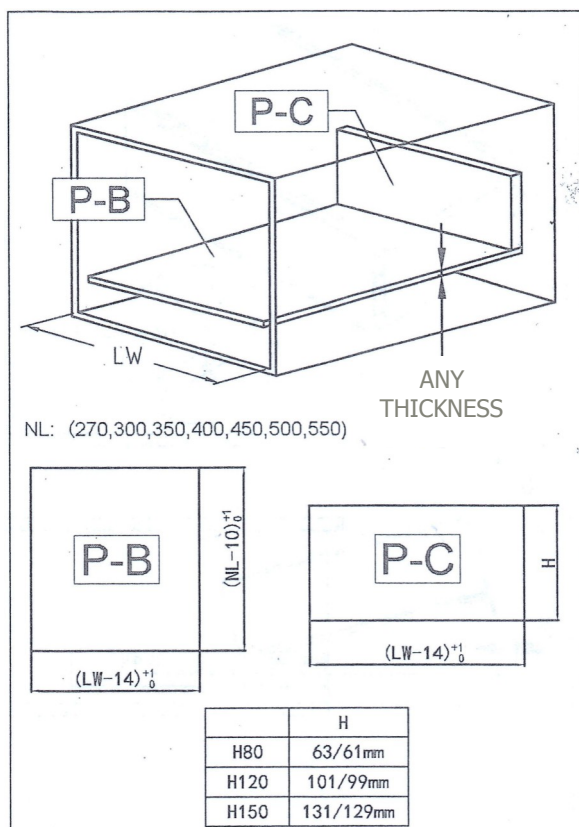
The new superslim COBOX drawers offer a stylish, durable and versatile alternative to the Magic Box twin walled range. With clean modern styling and rigid single skin sides produced from 1.2mm thick steel plate finished in a durable textured dark mocca-grey coating they are equally suited for installation in high quality domestic bedrooms, bathrooms and kitchens, home office applications or commercial projects such as student accommodation blocks and hotel developments. They are also ideally suited for use in caravans and camper van conversions.

The Unihopper single extension soft close runners provide a smooth soft close action and a 30kg rating for the drawers. Assembly is quick and easy with adequate adjustment. Any thickness of board can be used for the back and base giving extra flexibility to this innovative drawer system.

For complete peace of mind all Superslim COBOX components are covered by our no-quibble life-time warranty.



Superslim COBOX	
Nominal Length	Product Code
H80	
270 mm	DBEB1.270A2.TCA
300 mm	DBEB1.300A2.TCA
350 mm	DBEB1.350A2.TCA
400 mm	DBEB1.400A2.TCA
450 mm	DBEB1.450A2.TCA
500 mm	DBEB1.500A2.TCA
550 mm	DBEB1.550A2.TCA
H150	
270 mm	DBEB1.270C2.TCA
300 mm	DBEB1.300C2.TCA
350 mm	DBEB1.350C2.TCA
400 mm	DBEB1.400C2.TCA
450 mm	DBEB1.450C2.TCA
500 mm	DBEB1.500C2.TCA
550 mm	DBEB1.550C2.TCA



IN THE BOX

- 1 Undermount runners**
- 2 Drawer sides**
- 3 Front bracket covers**

